

Specifications:

Contact Resistance: 10mΩ max.

Insulator Resistance: 500MΩ min.at DC 500V

Rated current: 24V DC 1AMP MAX

www.trimmer.ru

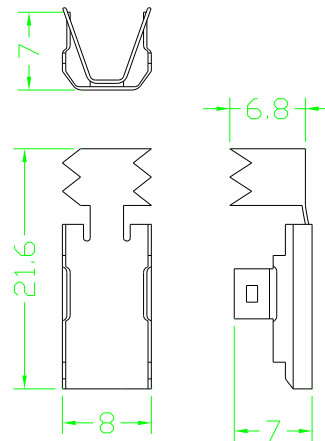
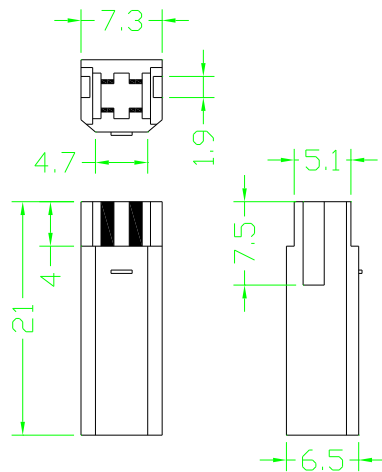
Dielectric Withstanding:

Voltage: AC 500V For 1 minute

Contact: Brass

Housing: PBT &30% Glass Fiber(UL 94V-0)

Corporation TRIMMER www.trimmer.ru



USB B PL