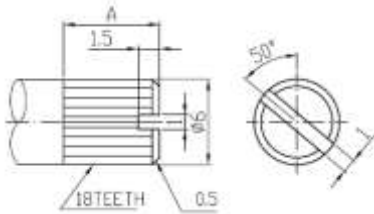
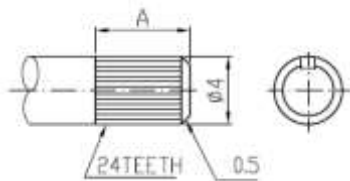
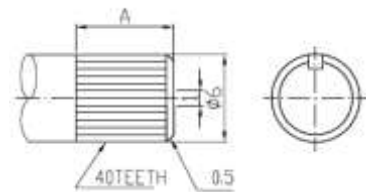
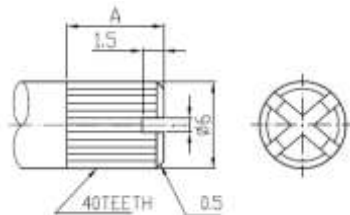
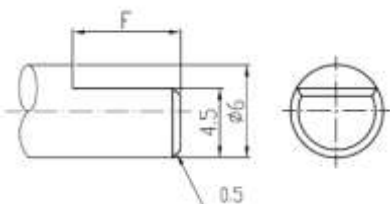




## Shaft Type

KC Type				KS Type				KQ Type			
											
<b>L</b>	<b>15</b>	<b>20</b>	<b>25</b>	<b>L</b>	<b>15</b>	<b>20</b>	<b>25</b>	<b>L</b>	<b>15</b>	<b>20</b>	<b>25</b>
<b>A</b>	<b>7</b>	<b>7</b>	<b>7</b>	<b>A</b>	<b>7</b>	<b>7</b>	<b>7</b>	<b>A</b>	<b>6</b>	<b>7</b>	<b>7</b>

KT Type					F Type			
								
<b>L</b>	<b>9</b>	<b>15</b>	<b>20</b>	<b>25</b>	<b>L</b>	<b>15</b>	<b>20</b>	<b>25</b>
<b>A</b>	--	<b>6</b>	<b>7</b>	<b>7</b>	<b>A</b>	<b>6</b>	<b>7</b>	<b>12</b>

## General

Operating temperature	-10 °C ~ +70 °C
Manual soldering	300 °C Max 3sec

## Electrical Characteristics

Total resistance	500Ω ~ 500KΩ
Resistance tolerance	±20%
Resistance taper	A B C
Sliding noise	Less than 80 mV
Residual resistance	Term. 1~2 :Less than 20Ω Term. 2~3 :Less than 40Ω
Insulation resistance	More than 100MΩ at DC 250V
Rated power(W)	0.05W
Max. Operating voltage	AC 50V / DC 20V
Withstand voltage	1 Minute at AC 250 V

## Mechanical Characteristics

Total rotational angle	280° ± 10°
Rotational torque	30 ~ 150 gf.cm
Rotational stopper strength	3Kgf.cm Min
Shaft push-pull strength	4Kgf. Max
Rotational life	15,000 Cycles.