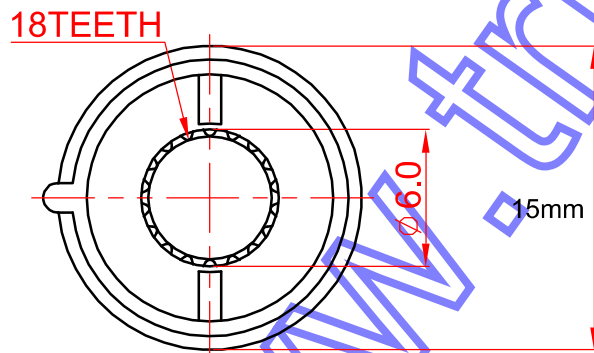
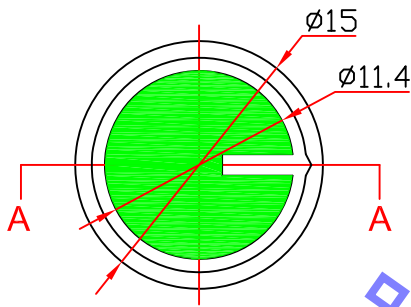
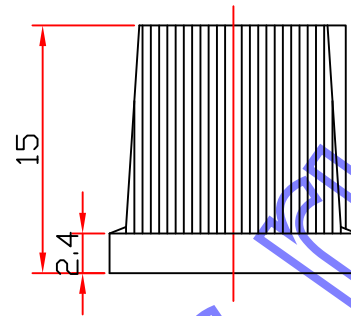


A-A



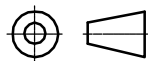
tel +7-812-647-00-48

| MODEL NAME | INDICATOR LINE COLOR |
|------------|----------------------|
| RR4854G    | GREEN                |
|            |                      |
|            |                      |
|            |                      |
|            |                      |

**RoHS Compliance**



Third Angle Projection



|                                     |                     |          |            |             |
|-------------------------------------|---------------------|----------|------------|-------------|
| MODEL NAME:                         | RR4854G             |          |            |             |
| DRAWING NO.                         |                     |          |            |             |
| CODE NO.                            |                     |          |            |             |
| PATH:                               |                     |          |            |             |
| MATERIAL                            | APPROVED SIGNATURES | DRAWN BY | CHECKED BY | APPROVED BY |
| FINISHING                           |                     |          |            |             |
| TOLERANCES                          |                     |          |            |             |
| VERSION                             |                     |          |            |             |
| UNIT                                | m/m                 | SCALE    | 1 / 1      |             |
| Corporate TRIMMER<br>www.trimmer.ru |                     |          |            |             |