



# 3-Pin Microprocessor Reset Circuits

## General Description

The MAX803/MAX809/MAX810 are microprocessor ( $\mu\text{P}$ ) supervisory circuits used to monitor the power supplies in  $\mu\text{P}$  and digital systems. They provide excellent circuit reliability and low cost by eliminating external components and adjustments when used with +5V, +3.3V, +3.0V, or +2.5V-powered circuits.

These circuits perform a single function: they assert a reset signal whenever the  $V_{CC}$  supply voltage declines below a preset threshold, keeping it asserted for at least 140ms after  $V_{CC}$  has risen above the reset threshold. Reset thresholds suitable for operation with a variety of supply voltages are available.

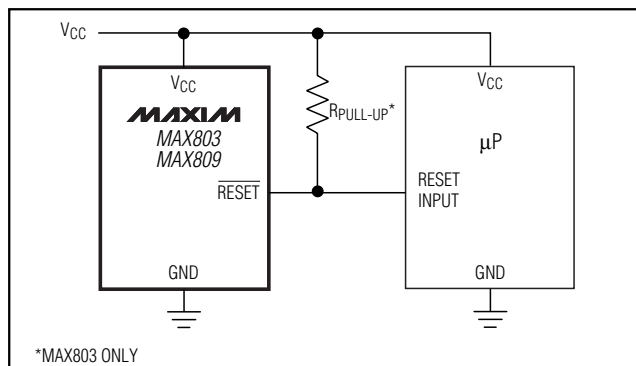
The MAX803 has an open-drain output stage, while the MAX809/MAX810 have push-pull outputs. The MAX803's open-drain RESET output requires a pull-up resistor that can be connected to a voltage higher than  $V_{CC}$ . The MAX803/MAX809 have an active-low RESET output, while the MAX810 has an active-high RESET output. The reset comparator is designed to ignore fast transients on  $V_{CC}$ , and the outputs are guaranteed to be in the correct logic state for  $V_{CC}$  down to 1V.

Low supply current makes the MAX803/MAX809/MAX810 ideal for use in portable equipment. The MAX803 is available in a 3-pin SC70 package, and the MAX809/MAX810 are available in 3-pin SC70 or SOT23 packages.

## Applications

- Computers
- Controllers
- Intelligent Instruments
- Critical  $\mu\text{P}$  and  $\mu\text{C}$  Power Monitoring
- Portable/Battery-Powered Equipment
- Automotive

## Typical Operating Circuit



## Features

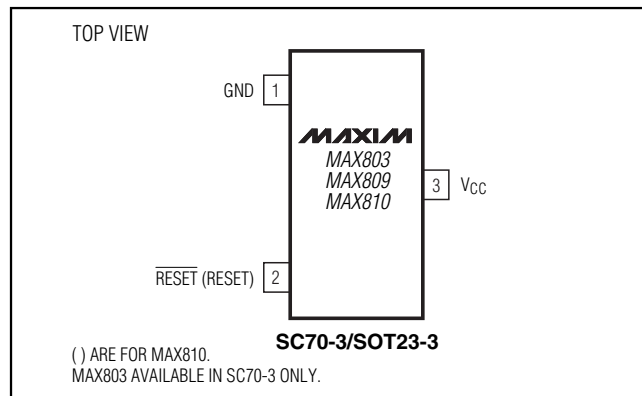
- ◆ Precision Monitoring of +2.5V, +3V, +3.3V, and +5V Power-Supply Voltages
- ◆ Fully Specified Over Temperature
- ◆ Available in Three Output Configurations
  - Open-Drain RESET Output (MAX803)
  - Push-Pull RESET Output (MAX809)
  - Push-Pull RESET Output (MAX810)
- ◆ 140ms min Power-On Reset Pulse Width
- ◆ 12 $\mu\text{A}$  Supply Current
- ◆ Guaranteed Reset Valid to  $V_{CC} = +1\text{V}$
- ◆ Power Supply Transient Immunity
- ◆ No External Components
- ◆ 3-Pin SC70 and SOT23 Packages

## Ordering Information

| PART           | TEMP. RANGE     | PIN-PACKAGE |
|----------------|-----------------|-------------|
| MAX803_EXR-T   | -40°C to +105°C | 3 SC70-3    |
| MAX803_EXR-T10 | -40°C to +105°C | 3 SC70-3    |
| MAX809_EXR-T   | -40°C to +105°C | 3 SC70-3    |
| MAX809_EXR-T10 | -40°C to +105°C | 3 SC70-3    |
| MAX809_EUR-T   | -40°C to +105°C | 3 SOT23-3   |
| MAX809_EUR-T10 | -40°C to +105°C | 3 SOT23-3   |
| MAX810_EXR-T   | -40°C to +105°C | 3 SC70-3    |
| MAX810_EXR-T10 | -40°C to +105°C | 3 SC70-3    |
| MAX810_EUR-T   | -40°C to +105°C | 3 SOT23-3   |
| MAX810_EUR-T10 | -40°C to +105°C | 3 SOT23-3   |

**Note:** These parts are offered in 2.5k or 10k reels, and must be ordered in 2.5k or 10k increments. Order MAX803\_EXR-T for 2.5k reels and MAX803\_EXR-T10 for 10k reels. Insert the desired suffix letter from the Selector Guide into the blank to complete the part number. All versions of these products may not be available at the time of announcement. Contact factory for availability.

## Pin Configuration



MAX803L/M/R/S/T/Z, MAX809J/L/M/R/S/T/Z, MAX810L/M/R/S/T/Z

# 3-Pin Microprocessor Reset Circuits

## ABSOLUTE MAXIMUM RATINGS

Terminal Voltage (with respect to GND)

|                                      |                                   |
|--------------------------------------|-----------------------------------|
| V <sub>CC</sub> .....                | -0.3V to +6.0V                    |
| RESET, RESET (push-pull) .....       | -0.3V to (V <sub>CC</sub> + 0.3V) |
| RESET (open drain) .....             | -0.3V to +6.0V                    |
| Input Current, V <sub>CC</sub> ..... | 20mA                              |
| Output Current, RESET, RESET .....   | 20mA                              |
| Rate of Rise, V <sub>CC</sub> .....  | 100V/μs                           |

Continuous Power Dissipation (T<sub>A</sub> = +70°C)

|   |                 |
|---|-----------------|
| 3-Pin SC70 (derate 2.17mW/°C above +70°C) ..... | 174mW           |
| 3-Pin SOT23 (derate 4mW/°C above +70°C) .....   | 320mW           |
| Operating Temperature Range .....               | -40°C to +105°C |
| Storage Temperature Range .....                 | -65°C to +150°C |
| Lead Temperature (soldering, 10s) .....         | +300°C          |

Stresses beyond those listed under "Absolute Maximum Ratings" may cause permanent damage to the device. These are stress ratings only, and functional operation of the device at these or any other conditions beyond those indicated in the operational sections of the specifications is not implied. Exposure to absolute maximum rating conditions for extended periods may affect device reliability. [www.trimmer.ru](http://www.trimmer.ru)

## ELECTRICAL CHARACTERISTICS

(V<sub>CC</sub> = full range, T<sub>A</sub> = -40°C to +105°C, unless otherwise noted. Typical values are at T<sub>A</sub> = +25°C, V<sub>CC</sub> = 5V for L/M/J versions, V<sub>CC</sub> = 3.3V for T/S versions, V<sub>CC</sub> = 3V for R version, and V<sub>CC</sub> = 2.5V for Z version.) (Note 1)

| PARAMETER              | SYMBOL          | CONDITIONS                       |  | MIN  | TYP  | MAX  | UNITS |  |
|------------------------|-----------------|----------------------------------|--|------|------|------|-------|--|
| V <sub>CC</sub> Range  |                 | T <sub>A</sub> = 0°C to +70°C    |  | 1.0  |      | 5.5  | V     |  |
|                        |                 | T <sub>A</sub> = -40°C to +105°C |  | 1.2  |      | 5.5  |       |  |
| Supply Current (SOT23) | I <sub>CC</sub> | T <sub>A</sub> = -40°C to +85°C  | V <sub>CC</sub> < 5.5V, MAX8_ _J/L/M   |      | 24   | 60   | μA    |  |
|                        |                 |                                  | V <sub>CC</sub> < 3.6V, MAX8_ _R/S/T   |      | 17   | 50   |       |  |
|                        |                 | T <sub>A</sub> = +85°C to +105°C | V <sub>CC</sub> < 5.5V, MAX8_ _L/M     |      |      | 100  |       |  |
|                        |                 |                                  | V <sub>CC</sub> < 3.6V, MAX8_ _R/S/T   |      |      | 100  |       |  |
| Supply Current (SC70)  | I <sub>CC</sub> | T <sub>A</sub> = -40°C to +85°C  | V <sub>CC</sub> < 5.5V, MAX8_ _L/M     |      | 16   | 35   | μA    |  |
|                        |                 |                                  | V <sub>CC</sub> < 3.6V, MAX8_ _R/S/T/Z |      | 12   | 30   |       |  |
|                        |                 | T <sub>A</sub> = +85°C to +105°C | V <sub>CC</sub> < 5.5V, MAX8_ _L/M     |      |      | 75   |       |  |
|                        |                 |                                  | V <sub>CC</sub> < 3.6V, MAX8_ _R/S/T/Z |      |      | 75   |       |  |
| Reset Threshold        | V <sub>TH</sub> | MAX8_ _L                         | T <sub>A</sub> = +25°C                 | 4.56 | 4.63 | 4.70 | V     |  |
|                        |                 |                                  | T <sub>A</sub> = -40°C to +85°C        | 4.50 |      | 4.75 |       |  |
|                        |                 |                                  | T <sub>A</sub> = +85°C to +105°C       | 4.40 |      | 4.86 |       |  |
|                        |                 | MAX8_ _M                         | T <sub>A</sub> = +25°C                 | 4.31 | 4.38 | 4.45 |       |  |
|                        |                 |                                  | T <sub>A</sub> = -40°C to +85°C        | 4.25 |      | 4.50 |       |  |
|                        |                 |                                  | T <sub>A</sub> = +85°C to +105°C       | 4.16 |      | 4.56 |       |  |
|                        |                 | MAX809J (SOT only)               | T <sub>A</sub> = +25°C                 | 3.93 | 4.00 | 4.06 |       |  |
|                        |                 |                                  | T <sub>A</sub> = -40°C to +85°C        | 3.89 |      | 4.10 |       |  |
|                        |                 |                                  | T <sub>A</sub> = +85°C to +105°C       | 3.80 |      | 4.20 |       |  |
|                        |                 | MAX8_ _T                         | T <sub>A</sub> = +25°C                 | 3.04 | 3.08 | 3.11 |       |  |
|                        |                 |                                  | T <sub>A</sub> = -40°C to +85°C        | 3.00 |      | 3.15 |       |  |
|                        |                 |                                  | T <sub>A</sub> = +85°C to +105°C       | 2.92 |      | 3.23 |       |  |
|                        |                 | MAX8_ _S                         | T <sub>A</sub> = +25°C                 | 2.89 | 2.93 | 2.96 |       |  |
|                        |                 |                                  | T <sub>A</sub> = -40°C to +85°C        | 2.85 |      | 3.00 |       |  |
|                        |                 |                                  | T <sub>A</sub> = +85°C to +105°C       | 2.78 |      | 3.08 |       |  |
|                        |                 | MAX8_ _R                         | T <sub>A</sub> = +25°C                 | 2.59 | 2.63 | 2.66 |       |  |
|                        |                 |                                  | T <sub>A</sub> = -40°C to +85°C        | 2.55 |      | 2.70 |       |  |
|                        |                 |                                  | T <sub>A</sub> = +85°C to +105°C       | 2.50 |      | 2.76 |       |  |
|                        |                 | MAX8_ _Z (SC70 only)             | T <sub>A</sub> = +25°C                 | 2.28 | 2.32 | 2.35 |       |  |
|                        |                 |                                  | T <sub>A</sub> = -40°C to +85°C        | 2.25 |      | 2.38 |       |  |
|                        |                 |                                  | T <sub>A</sub> = +85°C to +105°C       | 2.21 |      | 2.45 |       |  |

# 3-Pin Microprocessor Reset Circuits

MAX803L/M/R/S/T/Z, MAX809J/L/M/R/S/T/Z, MAX810L/M/R/S/T/Z

## ELECTRICAL CHARACTERISTICS (continued)

(V<sub>CC</sub> = full range, T<sub>A</sub> = -40°C to +105°C, unless otherwise noted. Typical values are at T<sub>A</sub> = +25°C, V<sub>CC</sub> = 5V for L/M/J versions, V<sub>CC</sub> = 3.3V for T/S versions, V<sub>CC</sub> = 3V for R version, and V<sub>CC</sub> = 2.5V for Z version.) (Note 1)

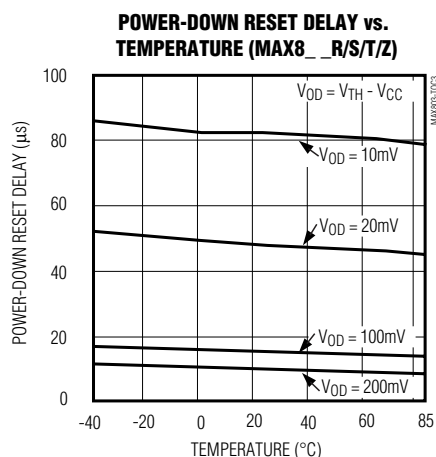
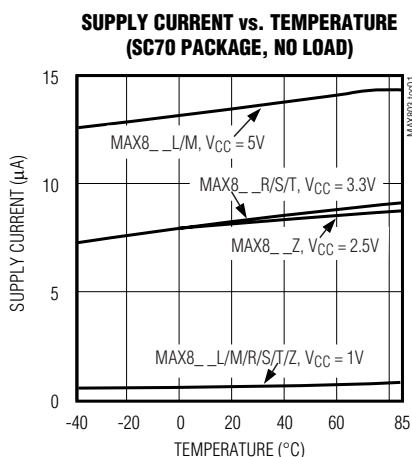
| PARAMETER  | SYMBOL          | CONDITIONS   | MIN                   | TYP | MAX | UNITS  |
|--|-----------------|--|-----------------------|-----|-----|--------|
| Reset Threshold Tempco   |                 |  |                       | 30  |     | ppm/°C |
| V <sub>CC</sub> to Reset Delay (Note 2)  |                 | V <sub>CC</sub> = V <sub>TH</sub> to (V <sub>TH</sub> - 100mV)                                 |                       | 20  |     | μs     |
| Reset Active Timeout Period (SOT23)  |                 | T <sub>A</sub> = -40°C to +85°C  | 140                   | 240 | 560 | ms     |
|  |                 | T <sub>A</sub> = +85°C to +105°C   | 100                   |     | 840 |        |
| Reset Active Timeout Period (SC70)   |                 | T <sub>A</sub> = -40°C to +85°C  | 140                   | 240 | 460 | ms     |
|  |                 | T <sub>A</sub> = +85°C to +105°C   | 100                   |     | 840 |        |
| RESET Output Voltage Low (push-pull active low and open-drain active-low, MAX803 and MAX809) | V <sub>OL</sub> | V <sub>CC</sub> = V <sub>TH</sub> min, I <sub>SINK</sub> = 1.2mA, MAX803R/S/T/Z, MAX809R/S/T/Z |                       |     | 0.3 | V      |
|  |                 | V <sub>CC</sub> = V <sub>TH</sub> min, I <sub>SINK</sub> = 3.2mA, MAX803L/M, MAX809J/L/M       |                       |     | 0.4 |        |
|  |                 | V <sub>CC</sub> > 1.0V, I <sub>SINK</sub> = 50μA   |                       |     | 0.3 |        |
| RESET Output Voltage High (push-pull active low, MAX809)                                     | V <sub>OH</sub> | V <sub>CC</sub> > V <sub>TH</sub> max, I <sub>SOURCE</sub> = 500μA, MAX809R/S/T/Z              | 0.8V <sub>CC</sub>    |     |     | V      |
|  |                 | V <sub>CC</sub> > V <sub>TH</sub> max, I <sub>SOURCE</sub> = 800μA, MAX809J/L/M                | V <sub>CC</sub> - 1.5 |     |     |        |
| RESET Output Voltage Low (push-pull active high, MAX810)                                     | V <sub>OL</sub> | V <sub>CC</sub> = V <sub>TH</sub> max, I <sub>SINK</sub> = 1.2mA, MAX810R/S/T/Z                |                       |     | 0.3 | V      |
|  |                 | V <sub>CC</sub> = V <sub>TH</sub> max, I <sub>SINK</sub> = 3.2mA, MAX810L/M                    |                       |     | 0.4 |        |
| RESET Output Voltage High (push-pull active high, MAX810)                                    | V <sub>OH</sub> | 1.8V < V <sub>CC</sub> < V <sub>TH</sub> min, I <sub>SOURCE</sub> = 150μA                      | 0.8V <sub>CC</sub>    |     |     | V      |
| RESET Open-Drain Output Leakage Current (MAX803)   |                 | V <sub>CC</sub> > V <sub>TH</sub> , RESET deasserted   |                       |     | 1   | μA     |

**Note 1:** Production testing done at T<sub>A</sub> = +25°C; limits over temperature guaranteed by design only.

**Note 2:** RESET output for MAX803/MAX809; RESET output for MAX810.

## Typical Operating Characteristics

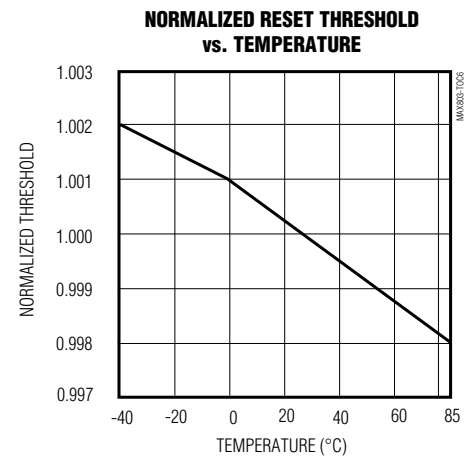
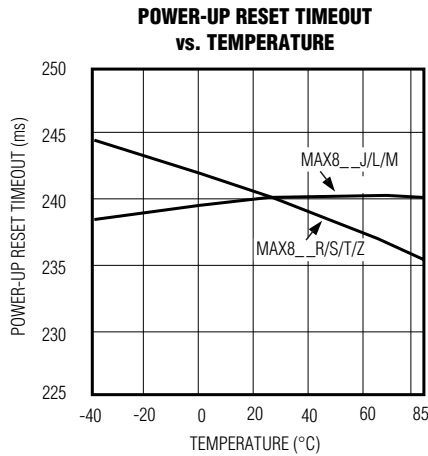
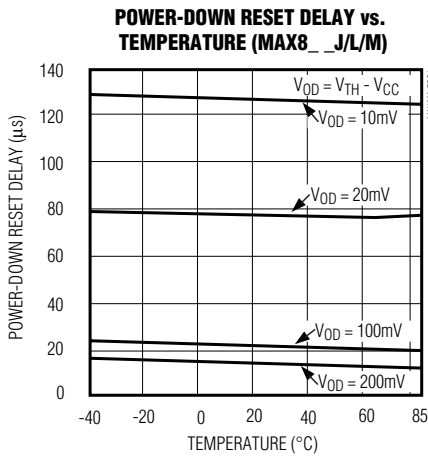
(V<sub>CC</sub> = full range, T<sub>A</sub> = -40°C to +105°C, unless otherwise noted. Typical values are at T<sub>A</sub> = +25°C, V<sub>CC</sub> = +5V for L/M/J versions, V<sub>CC</sub> = +3.3V for T/S versions, V<sub>CC</sub> = +3V for R version, and V<sub>CC</sub> = +2.5V for Z version.)



# 3-Pin Microprocessor Reset Circuits

## Typical Operating Characteristics (continued)

( $V_{CC}$  = full range,  $T_A$  =  $-40^{\circ}\text{C}$  to  $+105^{\circ}\text{C}$ , unless otherwise noted. Typical values are at  $T_A$  =  $+25^{\circ}\text{C}$ ,  $V_{CC}$  =  $+5\text{V}$  for L/M/J versions,  $V_{CC}$  =  $+3.3\text{V}$  for T/S versions,  $V_{CC}$  =  $+3\text{V}$  for R version, and  $V_{CC}$  =  $+2.5\text{V}$  for Z version.)



## Selector Guide

| PART/SUFFIX | RESET THRESHOLD (V) | OUTPUT TYPE                          | TOP MARK |      |
|-------------|---------------------|--------------------------------------|----------|------|
|             |                     |                                      | SOT      | SC70 |
| MAX803L     | 4.63                | Open-Drain $\overline{\text{RESET}}$ | —        | AAZ  |
| MAX803M     | 4.38                | Open-Drain $\overline{\text{RESET}}$ | —        | ABA  |
| MAX803T     | 3.08                | Open-Drain $\overline{\text{RESET}}$ | —        | ABB  |
| MAX803S     | 2.93                | Open-Drain $\overline{\text{RESET}}$ | —        | ABC  |
| MAX803R     | 2.63                | Open-Drain $\overline{\text{RESET}}$ | —        | ABD  |
| MAX803Z     | 2.32                | Open-Drain $\overline{\text{RESET}}$ | —        | ABE  |
| MAX809L     | 4.63                | Push-Pull RESET                      | AAAA     | AAN  |
| MAX809M     | 4.38                | Push-Pull RESET                      | ABAA     | AAO  |
| MAX809J     | 4.00                | Push-Pull RESET                      | CWAA     | —    |
| MAX809T     | 3.08                | Push-Pull RESET                      | ACAA     | AAP  |
| MAX809S     | 2.93                | Push-Pull RESET                      | ADAA     | AAQ  |
| MAX809R     | 2.63                | Push-Pull RESET                      | AFAA     | AAR  |
| MAX809Z     | 2.32                | Push-Pull RESET                      | —        | AAS  |
| MAX810L     | 4.63                | Push-Pull RESET                      | AGAA     | AAT  |
| MAX810M     | 4.38                | Push-Pull RESET                      | AHAA     | AAU  |
| MAX810T     | 3.08                | Push-Pull RESET                      | AJAA     | AAV  |
| MAX810S     | 2.93                | Push-Pull RESET                      | AKAA     | AAX  |
| MAX810R     | 2.63                | Push-Pull RESET                      | ALAA     | AAW  |
| MAX810Z     | 2.32                | Push-Pull RESET                      | —        | AAZ  |

# 3-Pin Microprocessor Reset Circuits

## Pin Description

| PIN | NAME   | FUNCTION   |
|-----|--|--|
| 1   | GND  | Ground   |
| 2   | $\overline{\text{RESET}}$<br>(MAX803/<br>MAX809) | $\overline{\text{RESET}}$ Output remains low while $V_{CC}$ is below the reset threshold, and for at least 140ms after $V_{CC}$ rises above the reset threshold. |
|     | RESET<br>(MAX810)                                | RESET Output remains high while $V_{CC}$ is below the reset threshold, and for at least 140ms after $V_{CC}$ rises above the reset threshold.                    |
| 3   | $V_{CC}$   | Supply Voltage (+5V, +3.3V, +3.0V, or +2.5V)   |

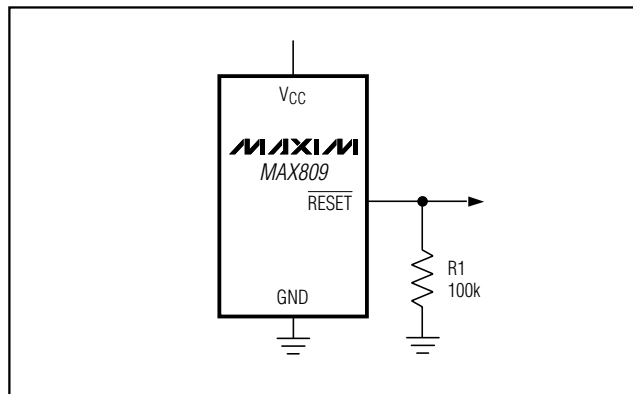


Figure 2.  $\overline{\text{RESET}}$  Valid to  $V_{CC} = \text{Ground}$  Circuit

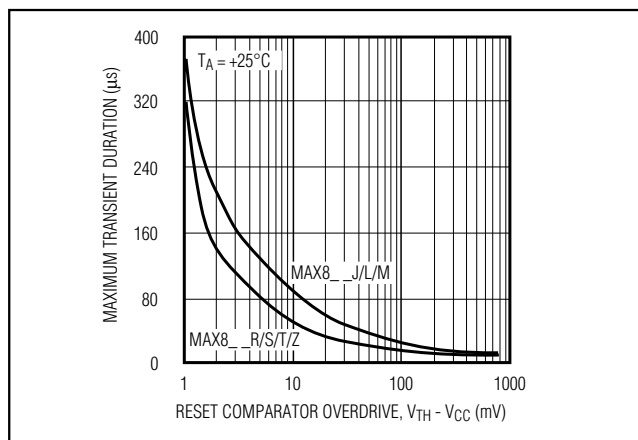


Figure 1. Maximum Transient Duration Without Causing a Reset Pulse vs. Reset Comparator Overdrive

## Detailed Description

A microprocessor's ( $\mu\text{P}$ 's) reset input starts the  $\mu\text{P}$  in a known state. The MAX803/MAX809/MAX810 assert reset to prevent code-execution errors during power-up, power-down, or brownout conditions. They assert a reset signal whenever the  $V_{CC}$  supply voltage declines below a preset threshold, keeping it asserted for at least 140ms after  $V_{CC}$  has risen above the reset threshold. The MAX803 uses an open-drain output, and the MAX809/MAX810 have a push-pull output stage. Connect a pull-up resistor on the MAX803's  $\overline{\text{RESET}}$  output to any supply between 0 and 6V.

## Applications Information

### Negative-Going $V_{CC}$ Transients

In addition to issuing a reset to the  $\mu\text{P}$  during power-up, power-down, and brownout conditions, the MAX803/MAX809/MAX810 are relatively immune to short-duration negative-going  $V_{CC}$  transients (glitches).

Figure 1 shows typical transient duration vs. reset comparator overdrive, for which the MAX803/MAX809/MAX810 do **not** generate a reset pulse. The graph was generated using a negative-going pulse applied to  $V_{CC}$ , starting 0.5V above the actual reset threshold and ending below it by the magnitude indicated (reset comparator overdrive). The graph indicates the maximum pulse width a negative-going  $V_{CC}$  transient can have without causing a reset pulse. As the magnitude of the transient increases (goes farther below the reset threshold), the maximum allowable pulse width decreases. Typically, for the MAX8\_\_L and MAX8\_\_M, a  $V_{CC}$  transient that goes 100mV below the reset threshold and lasts 20 $\mu\text{s}$  or less will not cause a reset pulse. A 0.1 $\mu\text{F}$  bypass capacitor mounted as close as possible to the  $V_{CC}$  pin provides additional transient immunity.

### Ensuring a Valid Reset Output Down to $V_{CC} = 0$

When  $V_{CC}$  falls below 1V, the MAX809  $\overline{\text{RESET}}$  output no longer sinks current—it becomes an open circuit. Therefore, high-impedance CMOS logic inputs connected to  $\overline{\text{RESET}}$  can drift to undetermined voltages. This presents no problem in most applications since most  $\mu\text{P}$  and other circuitry is inoperative with  $V_{CC}$  below 1V. However, in applications where  $\overline{\text{RESET}}$  must be valid down to 0V, adding a pull-down resistor to  $\overline{\text{RESET}}$  causes any stray leakage currents to flow to

## 3-Pin Microprocessor Reset Circuits

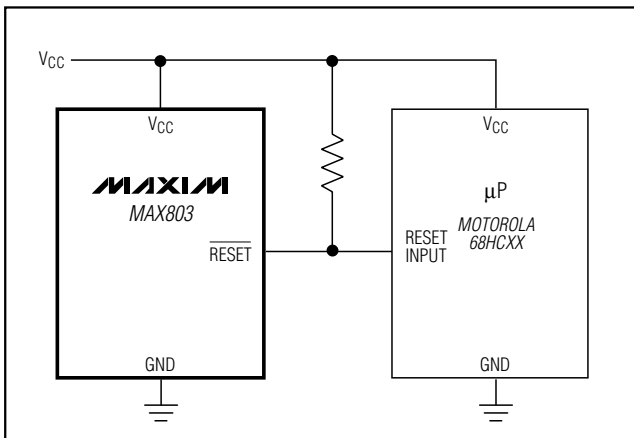


Figure 3. Interfacing to  $\mu$ Ps with Bidirectional Reset I/O

ground, holding  $\overline{\text{RESET}}$  low (Figure 2). R1's value is not critical; 100k $\Omega$  is large enough not to load  $\overline{\text{RESET}}$  and small enough to pull  $\overline{\text{RESET}}$  to ground.

A 100k $\Omega$  pull-up resistor to VCC is also recommended for the MAX810 if RESET is required to remain valid for VCC < 1V. [www.trimmer.ru](http://www.trimmer.ru)

### Interfacing to $\mu$ Ps with Bidirectional Reset Pins

Since the  $\overline{\text{RESET}}$  output on the MAX803 is open drain, this device interfaces easily with  $\mu$ Ps that have bidirectional reset pins, such as the Motorola 68HC11. Connecting the  $\mu$ P supervisor's  $\overline{\text{RESET}}$  output directly to the microcontroller's ( $\mu$ C's)  $\overline{\text{RESET}}$  pin with a single pull-up resistor allows either device to assert reset (Figure 3).

### MAX803 Open-Drain $\overline{\text{RESET}}$ Output Allows Use with Multiple Supplies

Generally, the pull-up connected to the MAX803 will connect to the supply voltage that is being monitored at the IC's VCC pin. However, some systems may use the open-drain output to level-shift from the monitored supply to reset circuitry powered by some other supply (Figure 4). Note that as the MAX803's VCC decreases below 1V, so does the IC's ability to sink current at  $\overline{\text{RESET}}$ . Also, with any pull-up,  $\overline{\text{RESET}}$  will be pulled high as VCC decays toward 0. The voltage where this occurs depends on the pull-up resistor value and the voltage to which it is connected.

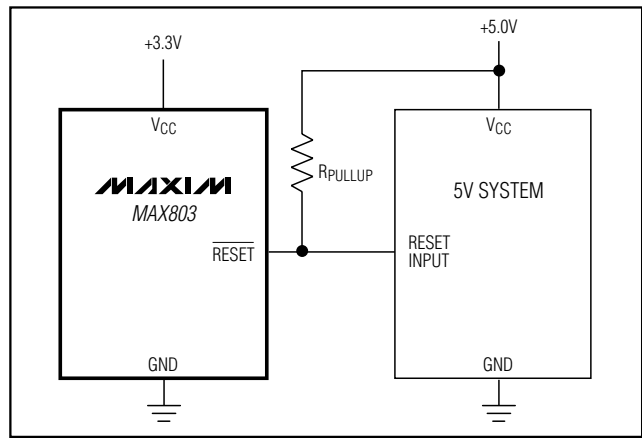


Figure 4. MAX803 Open-Drain  $\overline{\text{RESET}}$  Output Allows Use with Multiple Supplies

### Benefits of Highly Accurate Reset Threshold

Most  $\mu$ P supervisor ICs have reset threshold voltages between 5% and 10% below the value of nominal supply voltages. This ensures a reset will **not** occur within 5% of the nominal supply, but **will** occur when the supply is 10% below nominal.

When using ICs rated at only the nominal supply  $\pm 5\%$ , this leaves a zone of uncertainty where the supply is between 5% and 10% low, and where the reset may or may not be asserted.

The MAX8\_\_L/T/Z use highly accurate circuitry to ensure that reset is asserted close to the 5% limit, and long before the supply has declined to 10% below nominal.

### Chip Information

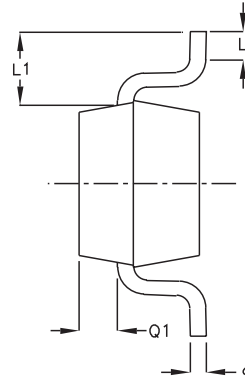
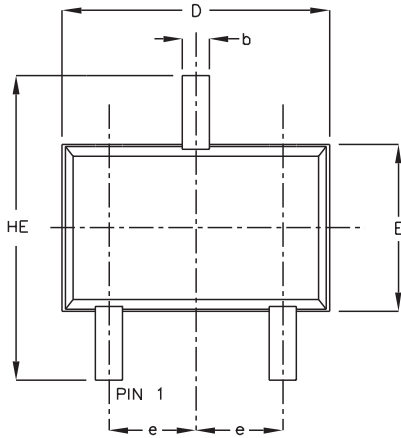
TRANSISTOR COUNT: 275 (SOT23)  
380 (SC70)

# 3-Pin Microprocessor Reset Circuits

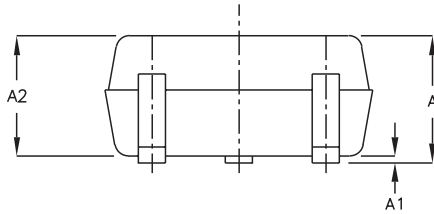
## Package Information

MAX803LM/R/S/T/Z, MAX809J/L/M/R/S/T/Z, MAX810L/M/R/S/T/Z

SC70, 3LEPS



| SYMBOL | MIN   | MAX  |
|--------|-------|------|
| e      | 0.65  | BSC  |
| D      | 1.80  | 2.20 |
| b      | 0.25  | 0.40 |
| E      | 1.15  | 1.35 |
| HE     | 1.80  | 2.40 |
| Q1     | 0.10  | 0.40 |
| A2     | 0.80  | 1.00 |
| A1     | 0.00  | 0.10 |
| A      | 0.80  | 1.10 |
| c      | 0.10  | 0.18 |
| L      | 0.10  | 0.30 |
| L1     | 0.425 | TYP. |



**NOTE:**

1. ALL DIMENSIONS ARE IN MILLIMETERS
2. DIMENSIONS ARE INCLUSIVE OF PLATING
3. DIMENSIONS ARE EXCLUSIVE OF MOLD FLASH & METAL BURR
4. ALL SPECIFICATIONS COMPLY TO EIAJ SC70
5. COPLANARITY 4 MILS. MAX.

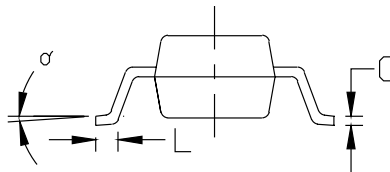
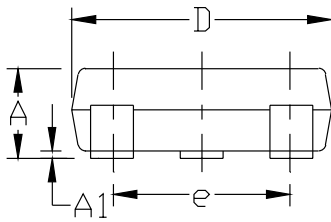
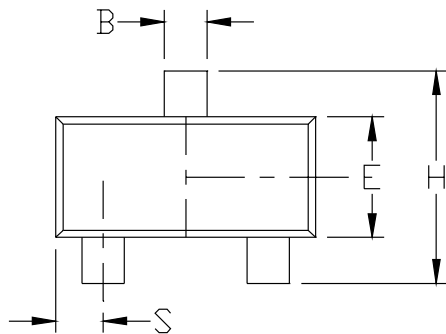
|  |                                     |                    |                    |
|--|-------------------------------------|--------------------|--------------------|
| <b>MAXIM</b>                           |                                     |                    |                    |
| <small>PROPRIETARY INFORMATION</small> |                                     |                    |                    |
| <small>TITLE:</small>                  |                                     |                    |                    |
| PACKAGE OUTLINE, SC70, 3L              |                                     |                    |                    |
| <small>APPROVAL</small>                | <small>DOCUMENT CONTROL NO.</small> | <small>REV</small> | <small>1/1</small> |
|  | 21-0075                             | B                  |                    |

# 3-Pin Microprocessor Reset Circuits

## Package Information (continued)

NOTES:

1. D&E DO NOT INCLUDE MOLD FLASH.
2. MOLD FLASH OR PROTRUSIONS NOT TO EXCEED .15mm (.006")
3. CONTROLLING DIMENSION: MILLIMETER



| DIM      | INCHES |       | MILLIMETERS |       |
|----------|--------|-------|-------------|-------|
|          | MIN    | MAX   | MIN         | MAX   |
| A        | 0.031  | 0.047 | 0.787       | 1.194 |
| A1       | 0.001  | 0.005 | 0.025       | 0.127 |
| B        | 0.014  | 0.022 | 0.356       | 0.559 |
| C        | 0.0034 | 0.006 | 0.086       | 0.152 |
| D        | 0.105  | 0.120 | 2.667       | 3.048 |
| E        | 0.047  | 0.055 | 1.194       | 1.397 |
| e        | 0.070  | 0.080 | 1.778       | 2.032 |
| H        | 0.082  | 0.098 | 2.083       | 2.489 |
| L        | 0.004  | 0.012 | 0.102       | 0.305 |
| S        | 0.017  | 0.022 | 0.432       | 0.559 |
| $\alpha$ | 0°     | 8°    | 0°          | 8°    |

**MAXIM**  
PROPRIETARY INFORMATION  
 TITLE: PACKAGE OUTLINE, SOT-23, 3L  
 APPROVAL: \_\_\_\_\_ DOCUMENT CONTROL NO. 21-0051 REV C 1/1

SOT23-3L.EPS